



expanding experiences



PTA 310x

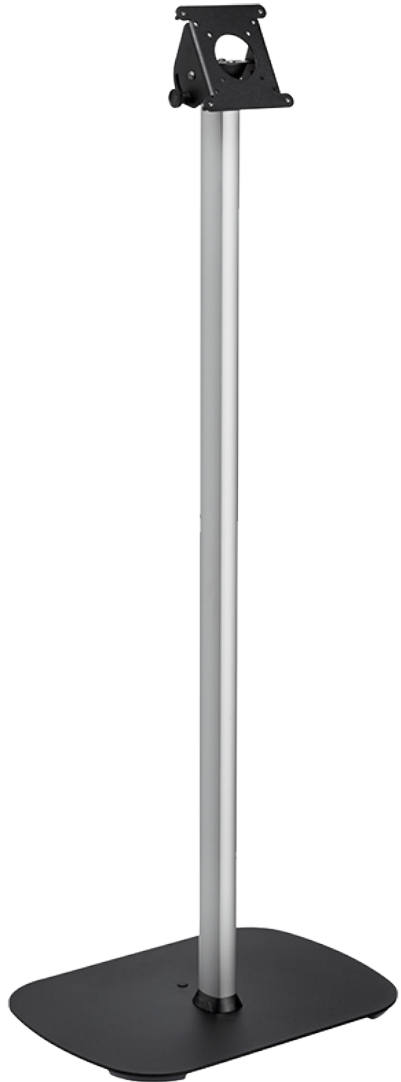
Secure tablet & display stands







Secure tablet and display stands



PTA 3101



PTA 3102



PTA 3103



PTA 3105

Key benefits

Floor/table stand can be secured to floor/table

Theft delaying screws

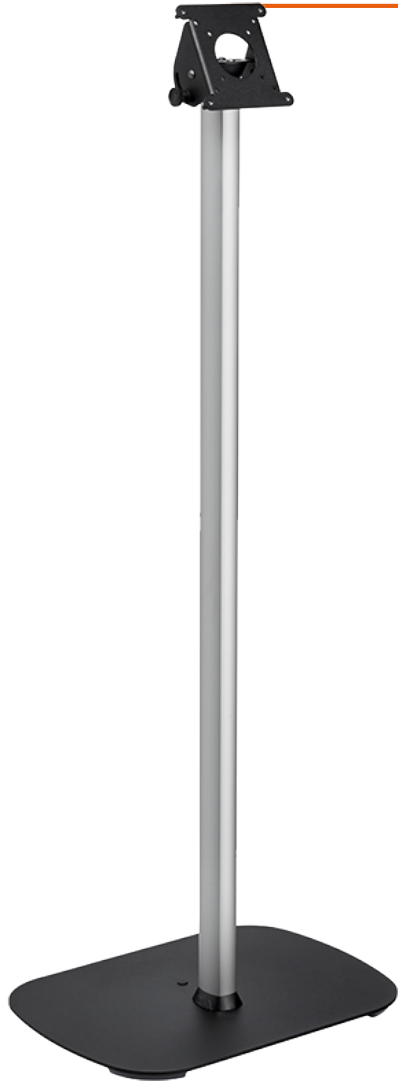
Cable management

Suitable for tablets and small interactive displays

- Fitment: 50x50, 75x75 & 100x100
- Tilt angle: 0 – 90°
- Height: 30 – 100 cm
- Max. weight: 3 kg



Secure tablet and display stands



PTA 3101



PTA 3102



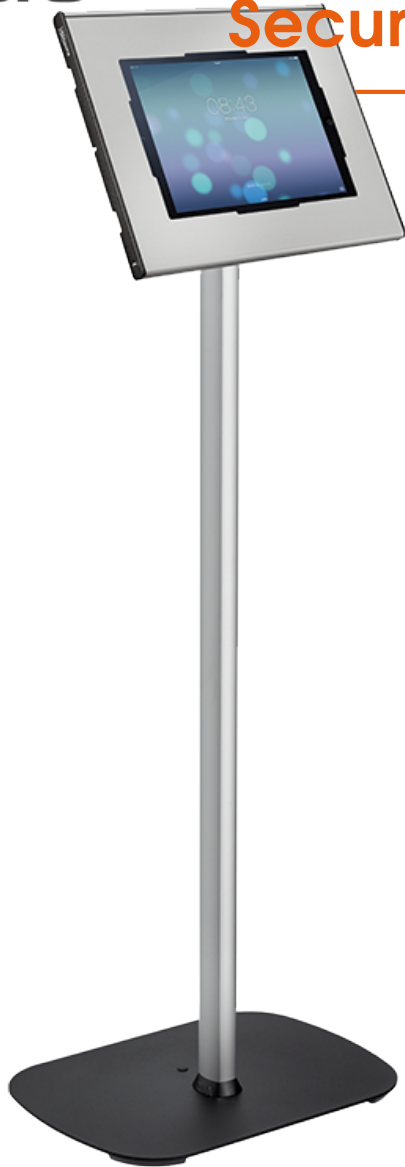
PTA 3103



PTA 3105



Secure tablet and display stands



PTA 3101



PTA 3102

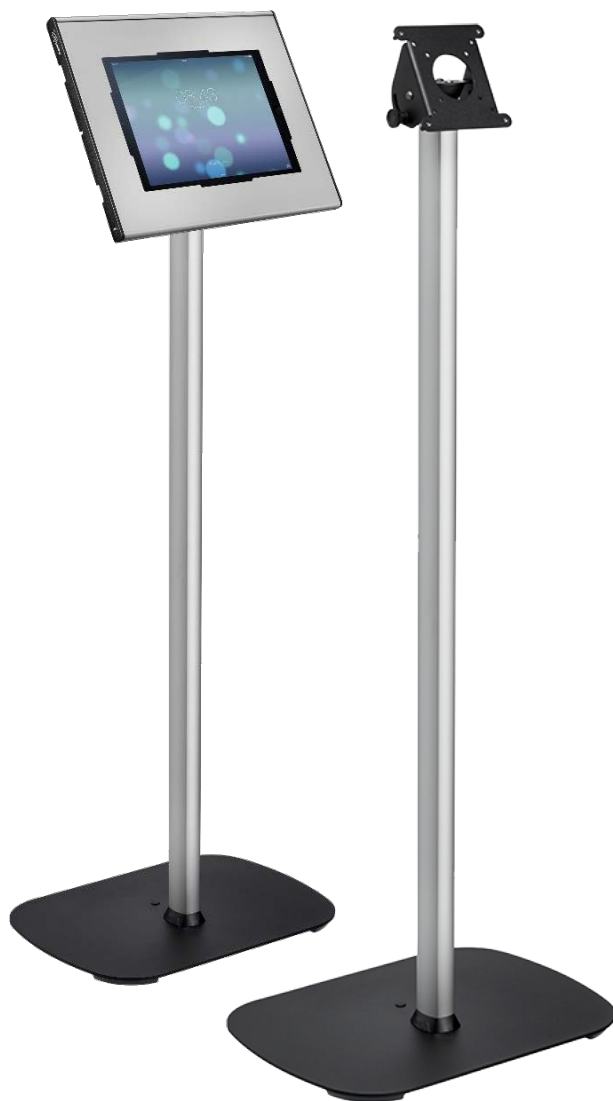


PTA 3103



PTA 3105

PTA 3101 – Floor stand



Key benefits

Floor stand can be secured to the floor

Theft delaying screws

Cable management

Suitable for tablets and small interactive displays

- Fitment: 50x50, 75x75 & 100x100
- Tilt angle: 0 – 90°
- Height: 100 cm
- Max. weight: 3 kg

PTA 3102 – Table stand



Key benefits

Table stand mounted to the table

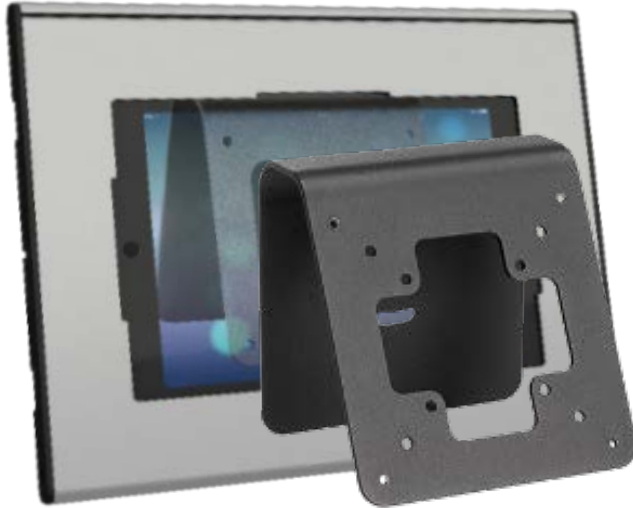
Theft delaying screws

Cable management

Suitable for tablets small interactive displays

- Fitment: 50x50, 75x75 & 100x100
- Tilt angle: 0 – 90°
- Height: 30 cm
- Max. weight: 3 kg

PTA 3103 – Wall mount



Key benefits

Can be mounted to walls and tables

Suitable for tablets and small interactive displays

- Fitment: 50x50, 75x75 & 100x100
- Tilt angle: 28°
- Max. weight: 3 kg

PTA 3105 – Table stand



Key benefits


Theft delaying screws

Cable management

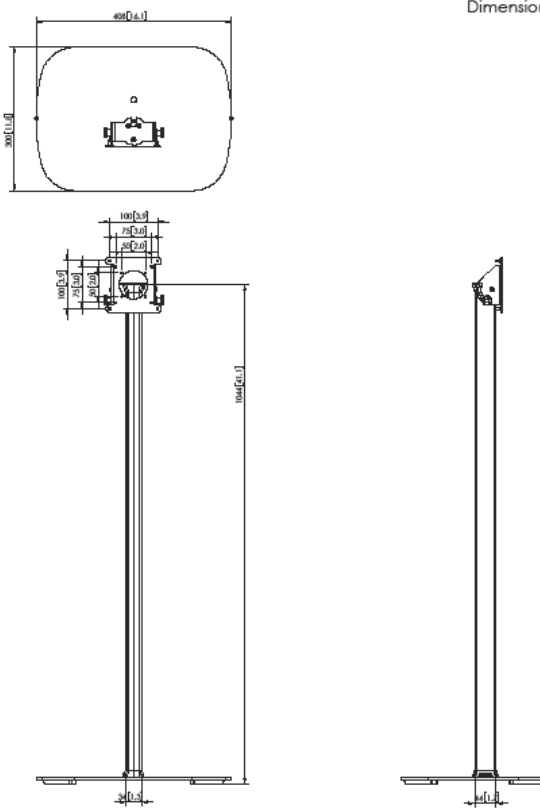
Suitable for tablets and small interactive displays

- Fitment: 50x50, 75x75 & 100x100
- Tilt angle: 0 – 90°
- Height: 30 cm
- Max. weight: 3 kg

PTA 3101 – Product data sheet


expanding experiences

Product data sheet
PTA 3101
Dimensions in mm [inch]



The technical drawing includes three views of the PTA 3101 product:

- Top View:** Shows a rectangular base with rounded corners. Dimensions include a width of 400 [15.7] mm and a height of 300 [11.8] mm. A central circular feature is labeled 'D'.
- Front View:** Shows the product's profile. The total height is 1000 [39.4] mm. The base width is 400 [15.7] mm. The top section has a diameter of 100 [3.9] mm. Other dimensions for the top section include 25 [0.98] mm, 20 [0.79] mm, 15 [0.59] mm, and 10 [0.39] mm.
- Side View:** Shows the product from the side, highlighting its thin profile and the base width of 400 [15.7] mm.

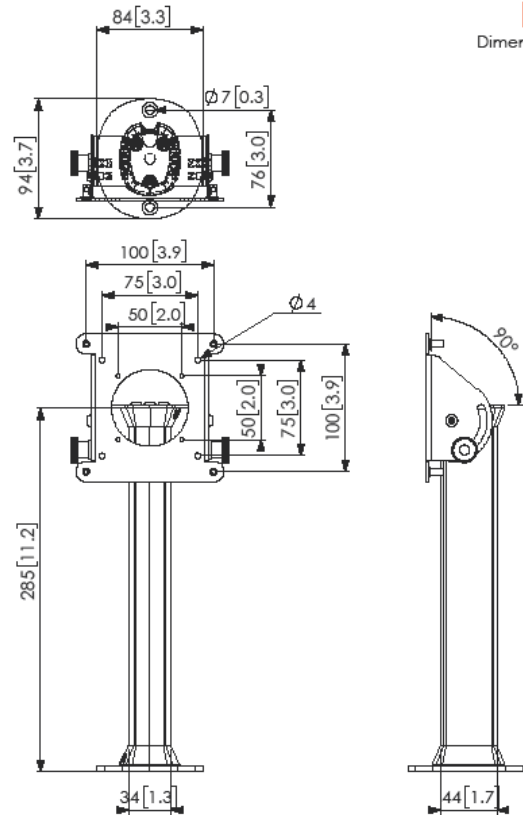
Note: This document and specifications herein are confidential and the exclusive property of Vogel's Products Inc. Neither the design nor any information contained in this drawing may be reproduced or disclosed to others without the consent of Vogel's Products Inc. The design and information will not be reproduced, copied or used, either in part or in its entirety, on the basis for the manufacture or sale of items without written permission. **Warning:** Please study all instructions and illustrations carefully before installation. Information in this document is subject to change without further notice.

Product data sheet

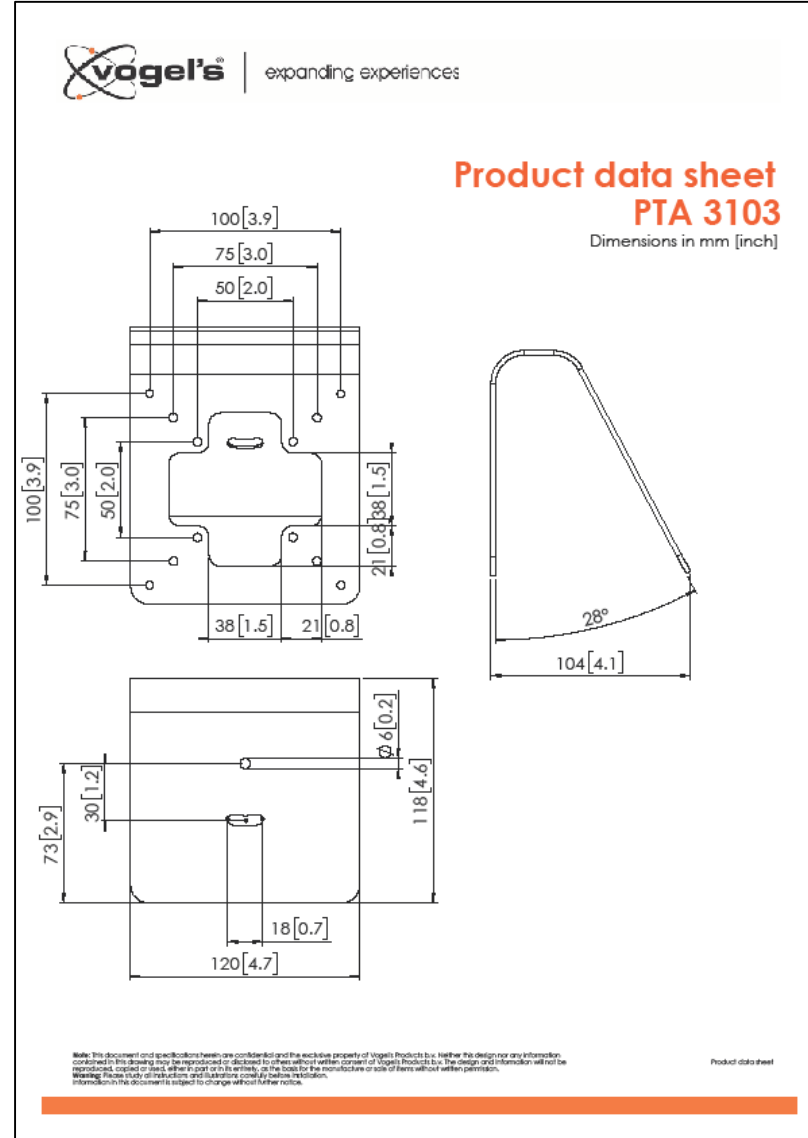
PTA 3102 – Product data sheet

Product data sheet PTA 3102

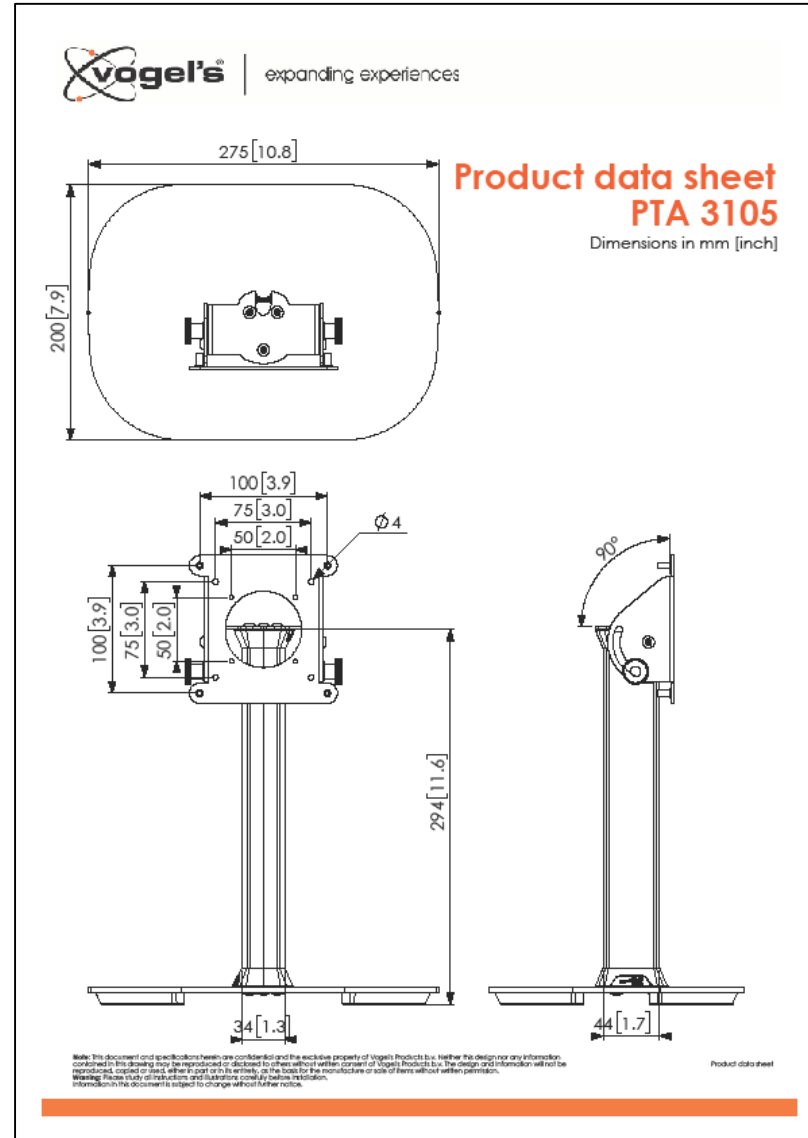
Dimensions in mm [inch]



PTA 3103 – Product data sheet



PTA 3105 – Product data sheet



PTA 3101 PTA 3102 PTA 3105

Mounting instructions
Montagevoorschrift
Instructions de montage
Montageanleitung
Guía de montaje
Istruzioni di montaggio
Instruções de montagem
Monteringsanvisning
Instrukcja montażu
Рекомендации по установке

Max. 3 kg / 6.6 lbs

PTA 3101

A 3x G 1x

PTA 3102

A 3x B 1x C 1x D 2x E 2x

PTA 3105

A 3x

2 PTA 3101

A

PTA 3102

A

PTA 3105

A

3

PTS 1XXX

4

4a

5

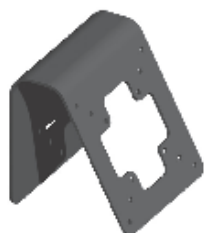
PTA 3102
OPTION 1
E D
OPTION 2
B C
M14

6 PTA 3101

OPTION 2
G OPTION 1

(G) Subject to printing errors and technical amendments.
(NL) Draakfouten en technische wijzigingen voorbehouden.
(F) Sous réserve de fautes d'impression et de modifications techniques.
(D) Für Druckfehler, Übersetzungen und technische Änderungen vorbehalten.
(E) Reservados errores de impresión y sobre modificaciones.
(I) Con riserva di modifiche tecniche e di eventuali errori di stampa.
(P) Reservados a ocorrência de falhas e de modificações técnicas.
(N) Myöskäänkin teknisiä virheitä ja muutoksia.
(PL) Zastrzeżenie, że nie należy oczekiwać idealnej drukowania.
(EN) Reserved for printing errors and technical amendments.

More information on: www.vogels.com
VOGELS PRODUCTS BV, HINDENBURGLAAN 49, 5428 DB GRIEBOVEN, THE NETHERLANDS



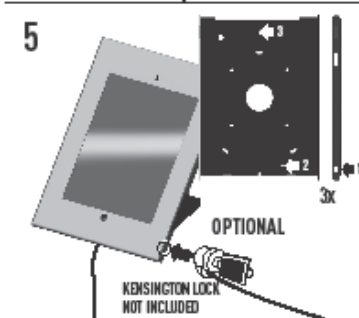
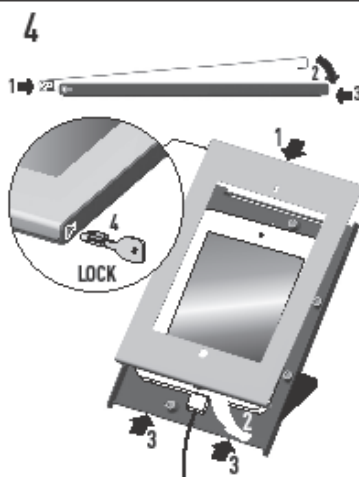
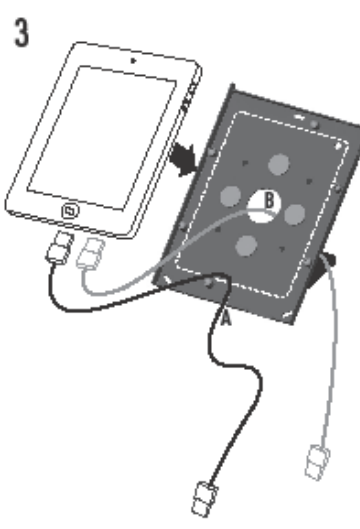
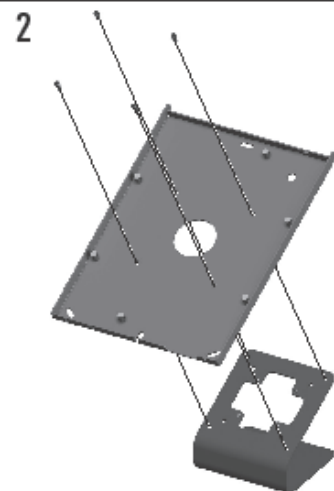
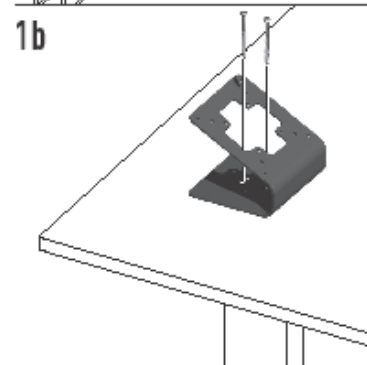
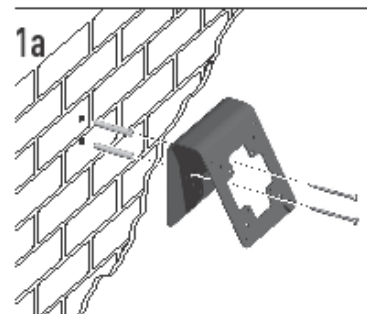
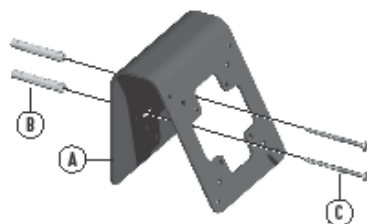
PTA 3103

Mounting instructions

Montagevoorschrift
 Instructions de montage
 Montageanleitung
 Guía de montaje
 Istruzioni di montaggio
 Instruções de montagem
 Monteringsanvisning
 Instrukcja montażu
 Рекомендации по установке



(A) = 1x (B) = 2x (C) = 2x



(B) Subject to printing errors and technical amendments.
 (NL) Drukfouten en technische wijzigingen voorbehouden.
 (F) Sans réserve de fautes d'impression et de modifications techniques.
 (D) Für Druckfehler übernehmen wir keine Verantwortung.
 Technische Änderungen vorbehalten.
 (E) Reservados errores de imprenta y sujetos a modificaciones.
 (I) Con riserva di modifiche tecniche e di eventuali errori di stampa.
 (N) Nyvonditahitika ny tsy faharoa ny faharoa ny faharoa.
 (P) Zastrzeżenie sily możliwości wystąpienia błędów drukarskich i zmian technicznych.
 (RU) Возможны ошибки при печати и технические модификации.

More information on: www.vogel.com
 VOGEL'S PRODUCTS BV, HONDORGBAAN 45, 5408 GB EINDHOVEN, THE NETHERLANDS



Logistical information

Model nr.	Description	Item Nr	Color	On pallet (pcs)	Carton Dimensions wxlxh (mm)	Weight box (kg)	Weight box (lbs)	EAN-13
PTA 3101	PTA 3101 TABLOCK FLOOR STAND	7493110	Black	20	360x1060x145	6,25	13,78	8712285334726
PTA 3102	PTA 3102 TABLOCK TABLE STAND	7493120	Black	120	210x395x120	1,34	2,95	8712285334740
PTA 3103	PTA 3103 TABLOCK WALL / TABLE MOUNT	7493130	Black	567	138x133x115	0,55	1,21	8712285335242
PTA 3105	PTA 3105 TABLOCK TABLE STAND FP	7493150	Black	120	210x395x120	2,66	5,86	8712285334764



expanding experiences